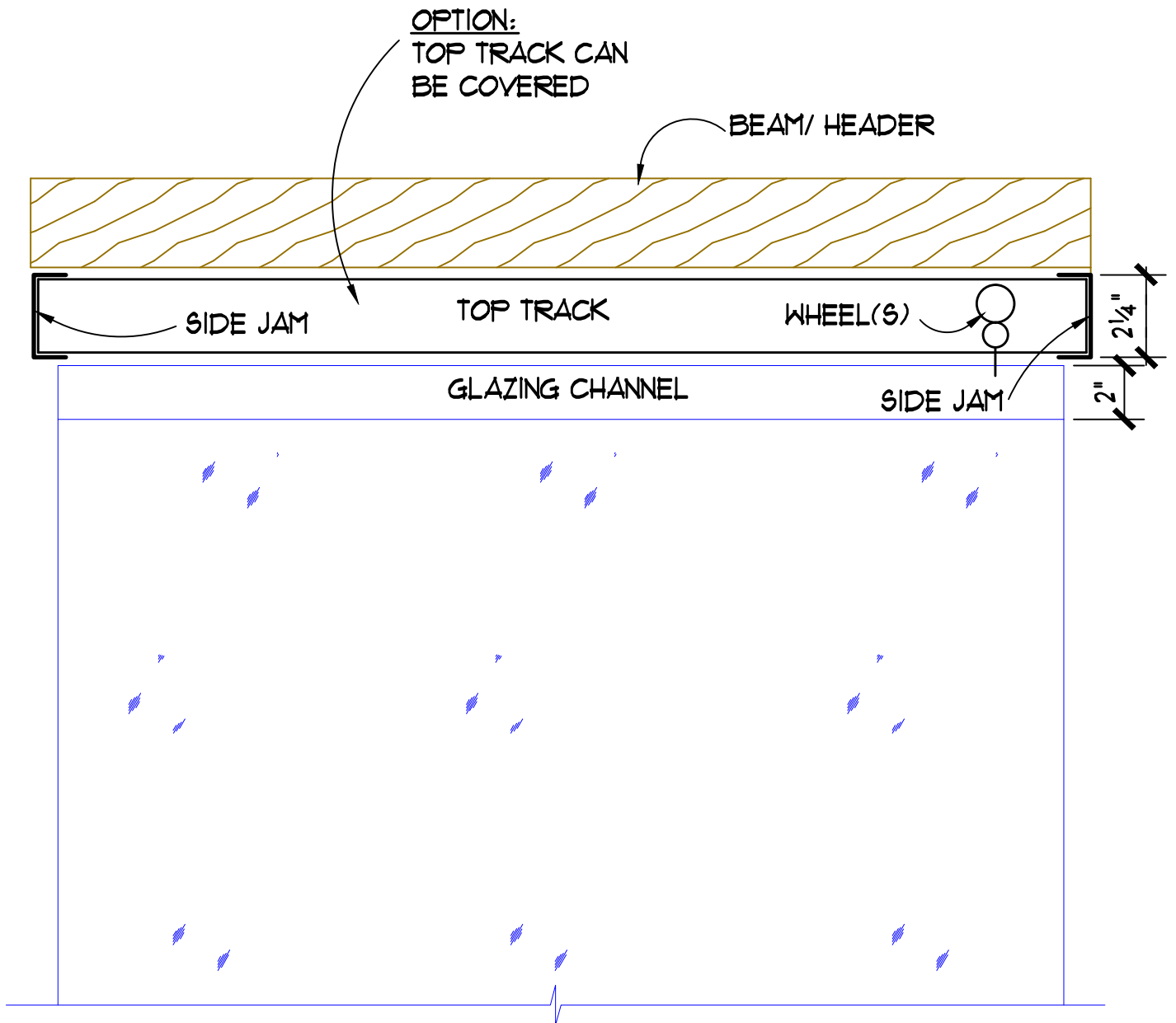


# COVER GLASS USA

(T) 800-317-2984 . (F) 619-275-7848

WWW.COVERGLASSUSA.COM

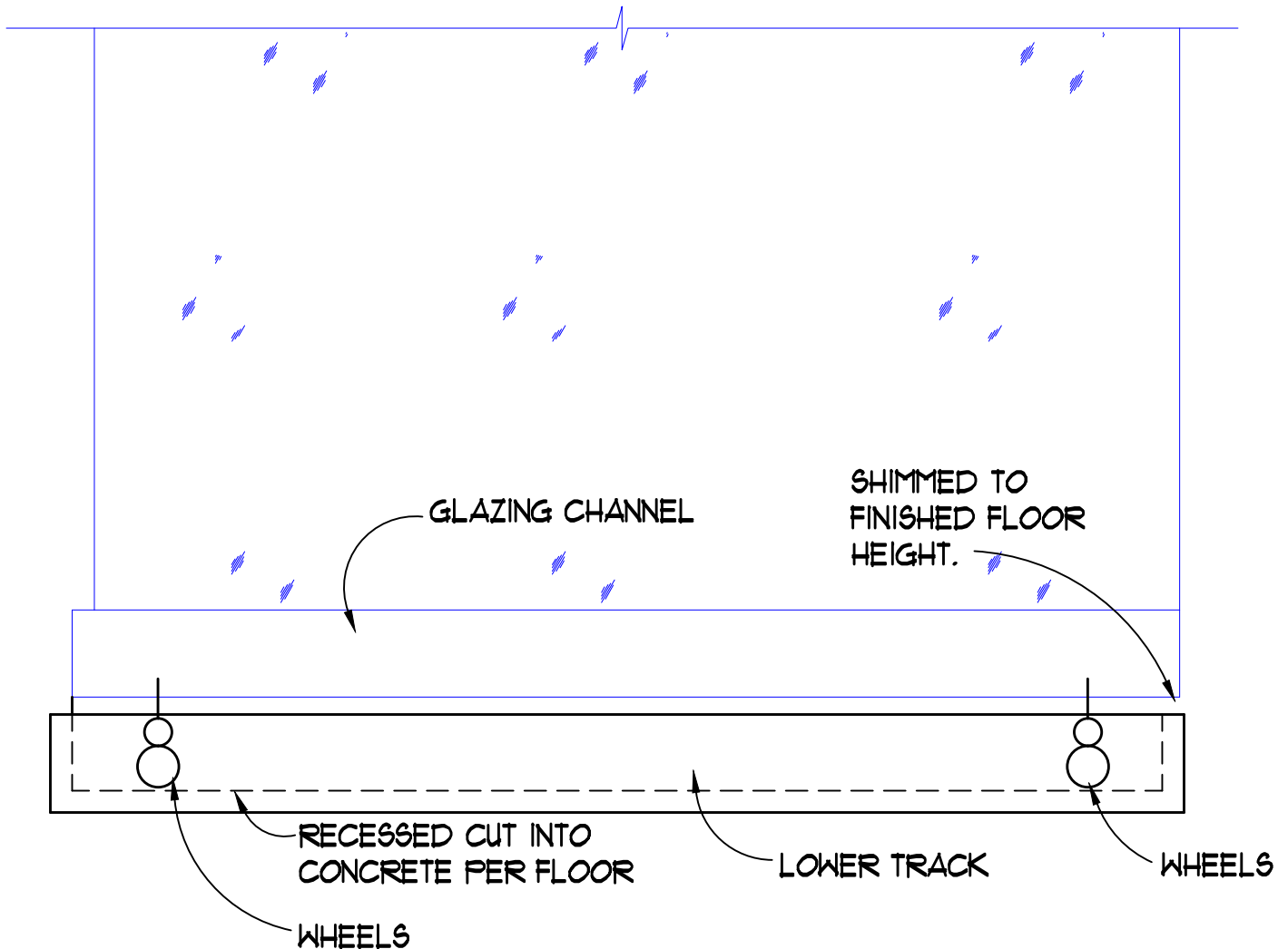


## GLASS PANEL TOP HEADER ATTACHMENT WEDGED INTO GLAZING CHANNEL

# COVER GLASS USA

(T) 800-317-2984 . (F) 619-275-7848

WWW.COVERGLASSUSA.COM



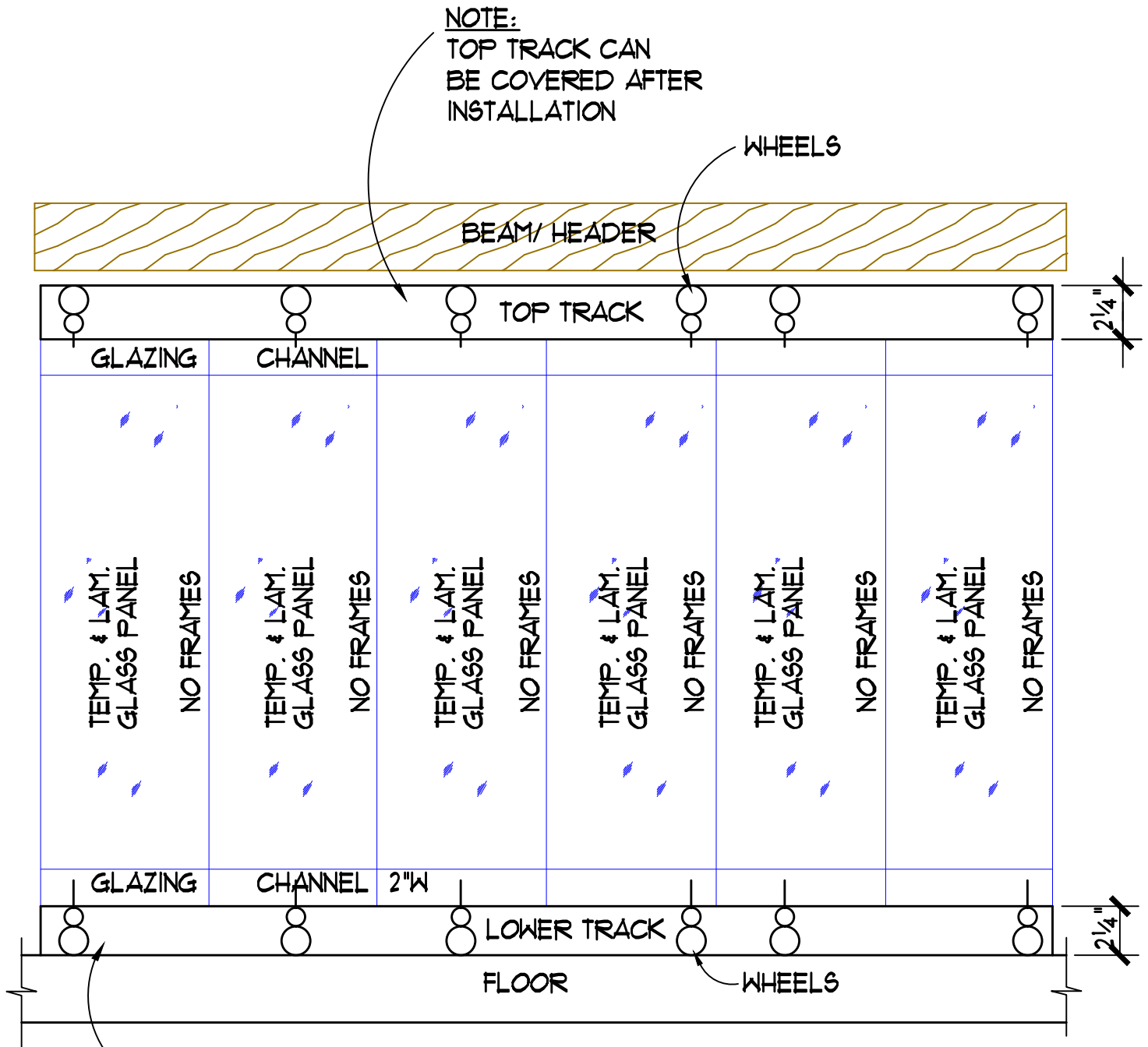
## GLASS PANEL WEDGED INTO GLAZING CHANNEL

BOTTOM TRACK RECESSED AND SHIMMED BACK TO INSIDE FINISHED FLOOR HEIGHT. CAN BE COMPLETELY FLUSH WITH FINISH FLOOR BOTH INSIDE AND OUT.

# COVER GLASS USA

(T) 800-317-2984 . (F) 619-275-7848

WWW.COVERGLASSUSA.COM



**OPTION:**

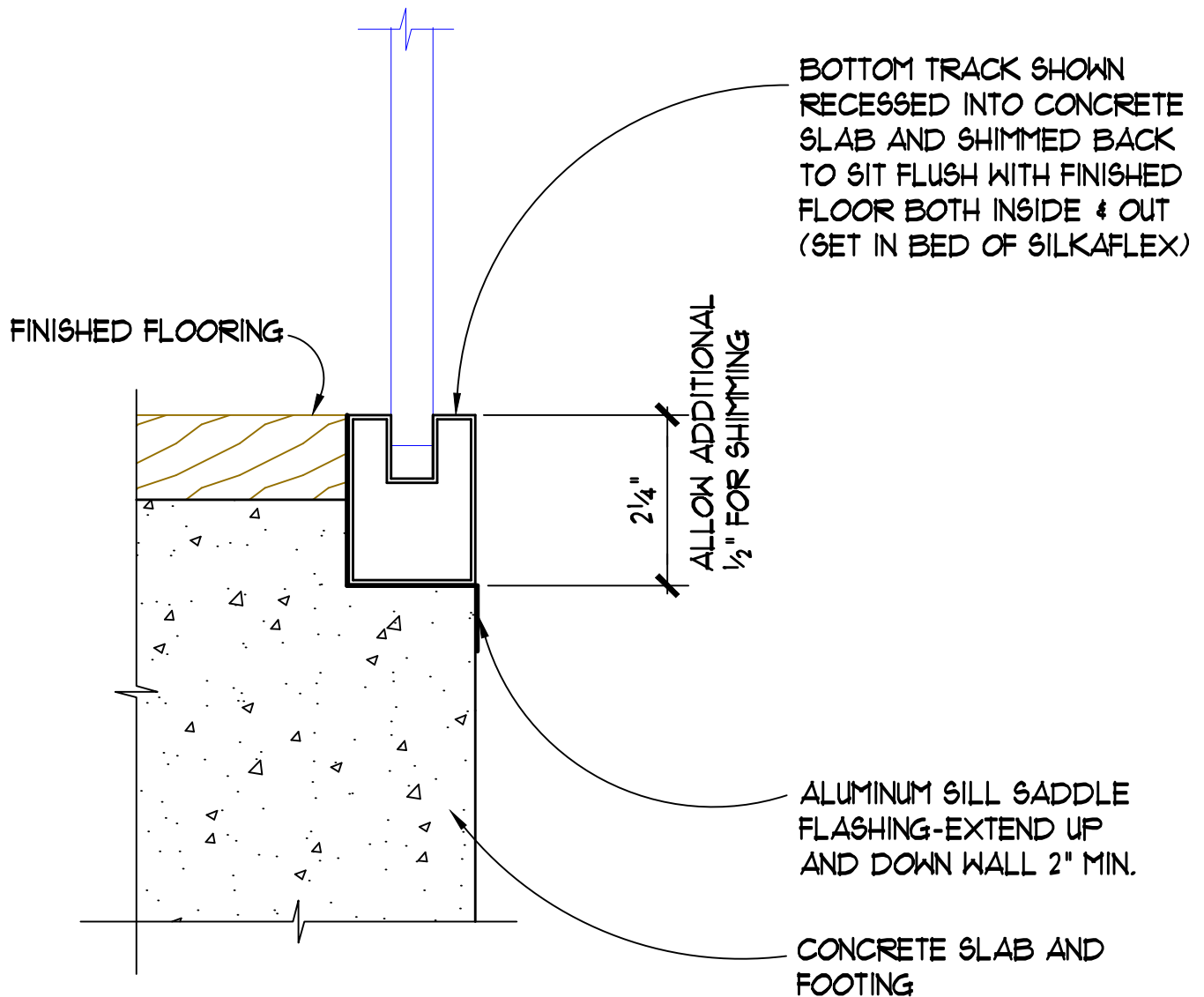
IF A CUT IS PROVIDED, LOWER TRACK CAN BE RECESSED INTO FLOOR AND SHIMMED BACK TO SIT FLUSH WITH FINISHED FLOOR.

## FRAMELESS SLIDING DOORS OVERVIEW

# COVER GLASS USA

(T) 800-317-2984 . (F) 619-275-7848

WWW.COVERGLASSUSA.COM

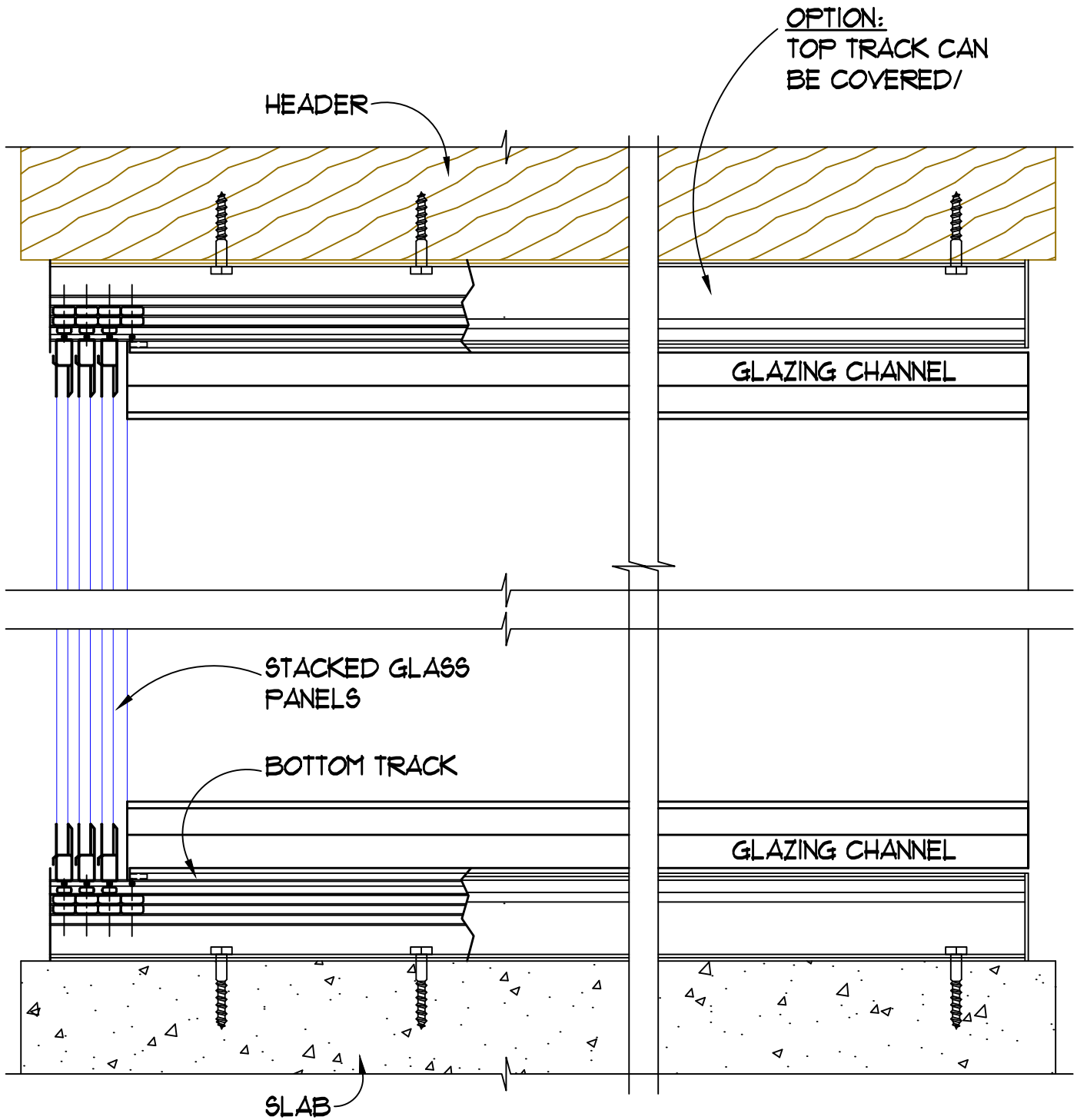


## RECESSING OF BOTTOM TRACK

# COVER GLASS USA

(T) 800-317-2984 . (F) 619-275-7848

WWW.COVERGLASSUSA.COM



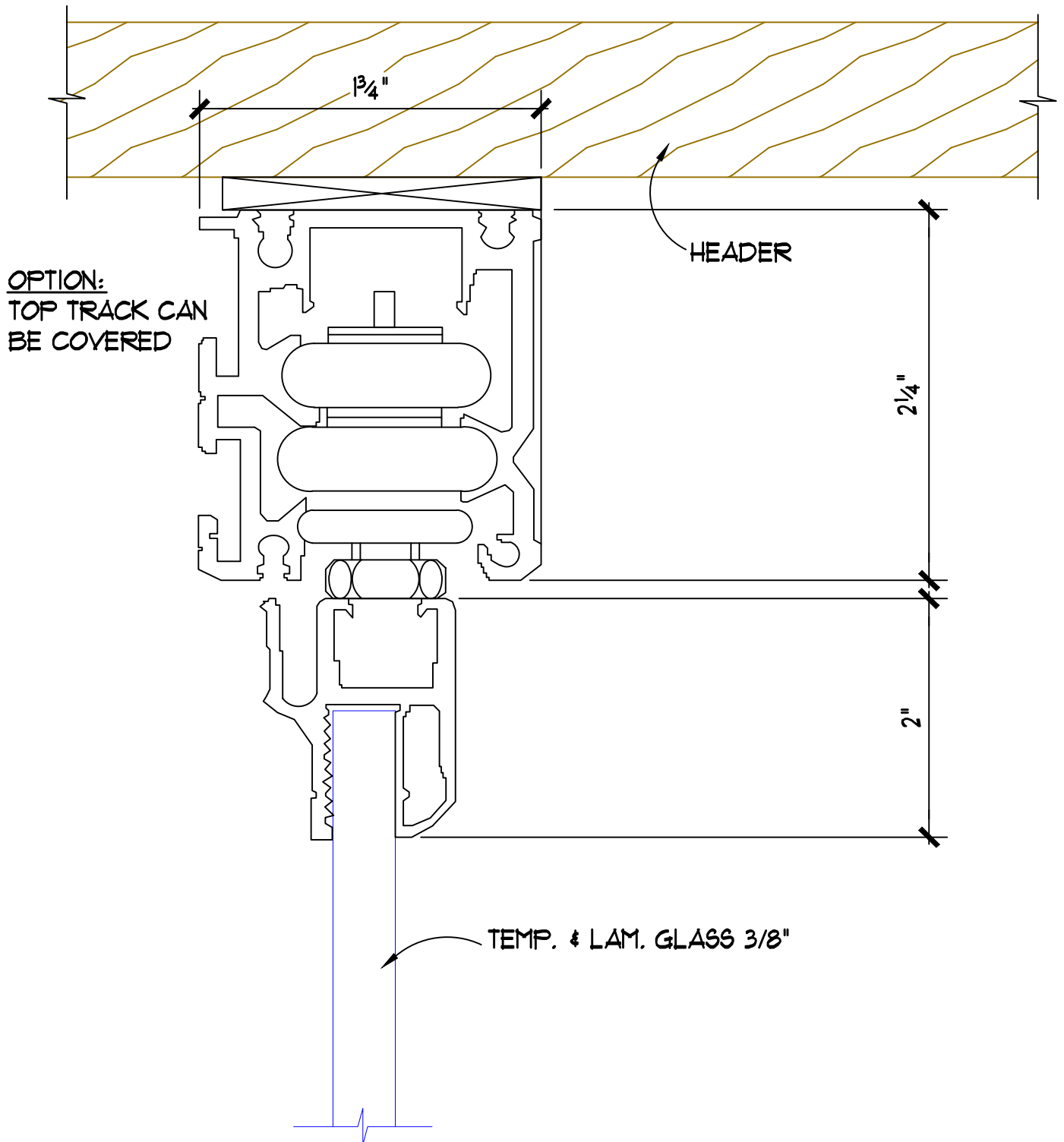
## FRONT VIEW - GLASS PANEL STACK

(TAKING UP 1" PER PANEL)

# COVER GLASS USA

(T) 800-317-2984 . (F) 619-275-7848

WWW.COVERGLASSUSA.COM

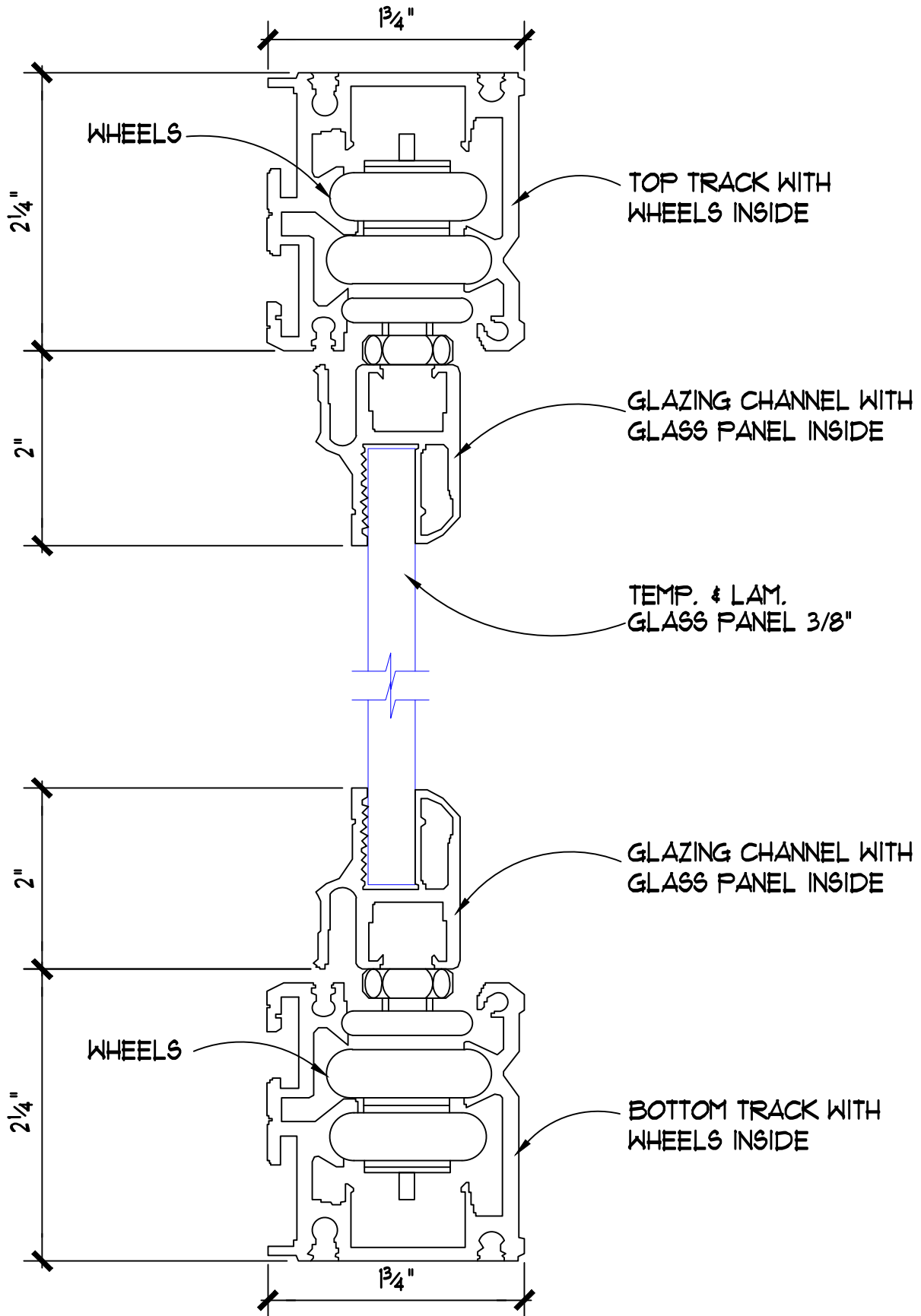


SIDE VIEW OF TRACK WITH GLASS ATTACHED TO HEADER

# COVER GLASS USA

(T) 800-317-2984 . (F) 619-275-7848

WWW.COVERGLASSUSA.COM

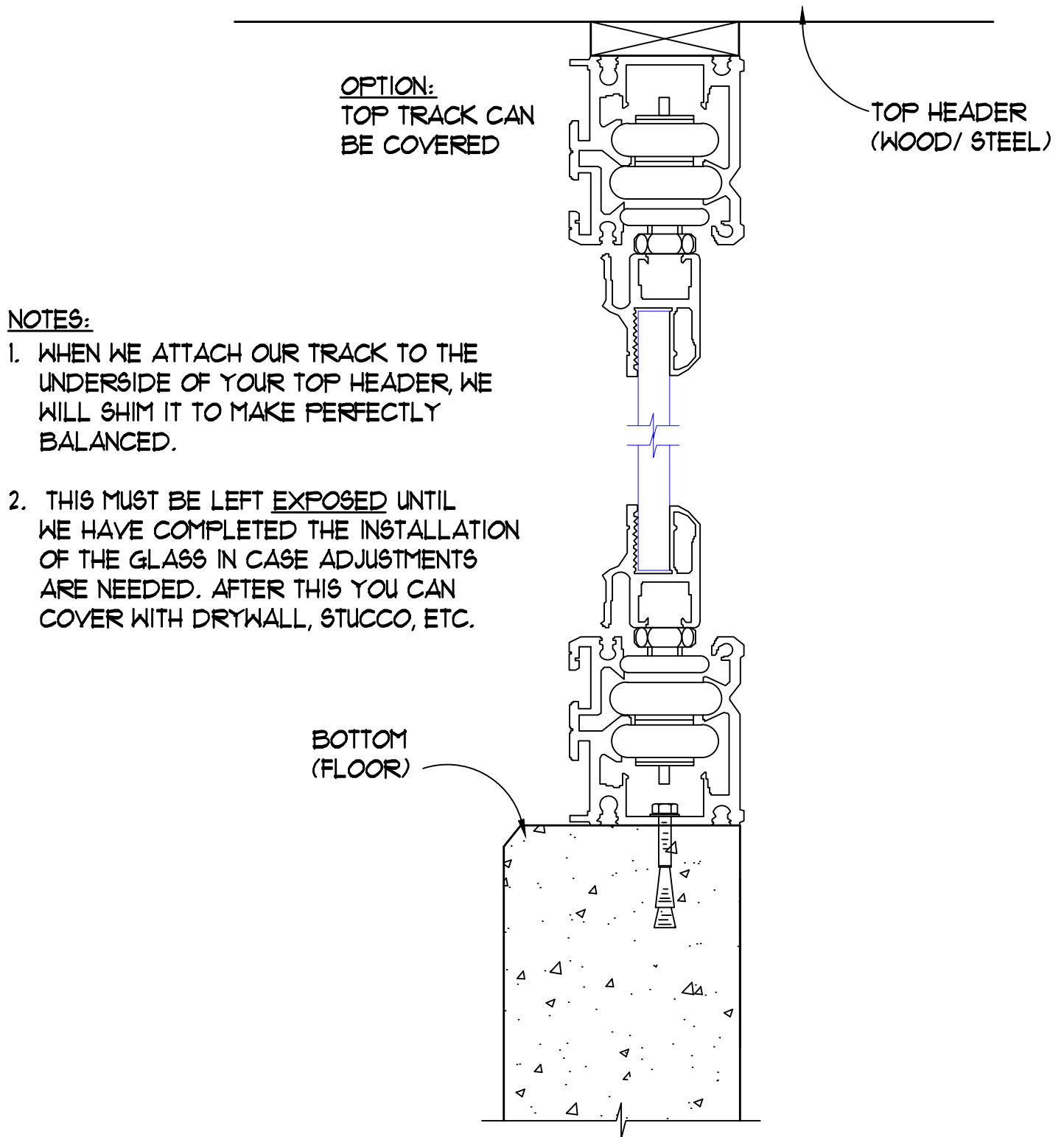


DESIGN PROTECTED, ALL RIGHTS RESERVED. COVER GLASS WORLDWIDE

# COVER GLASS USA

(T) 800-317-2984 . (F) 619-275-7848

WWW.COVERGLASSUSA.COM

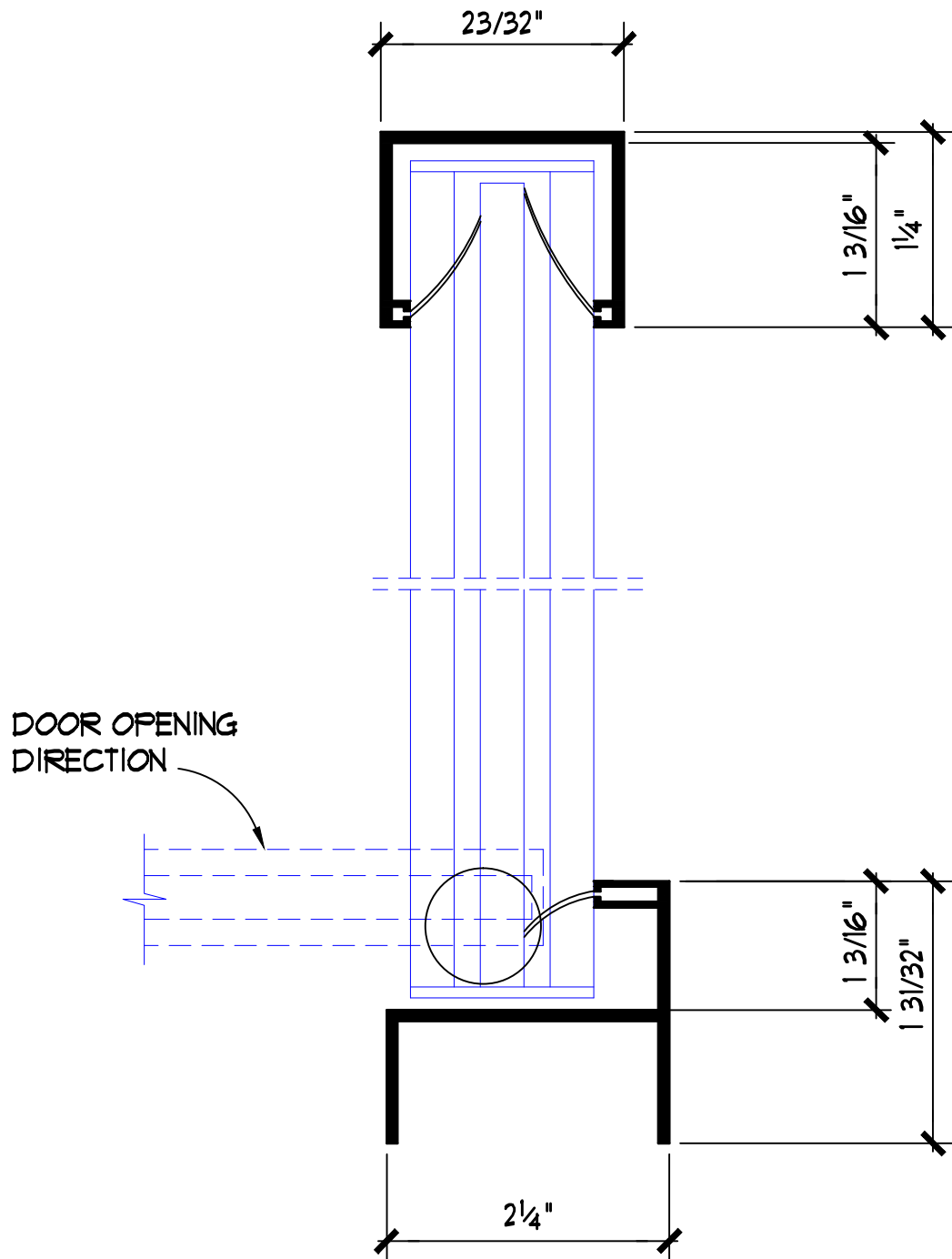




# COVER GLASS USA

(T) 800-317-2984 . (F) 619-275-7848

WWW.COVERGLASSUSA.COM

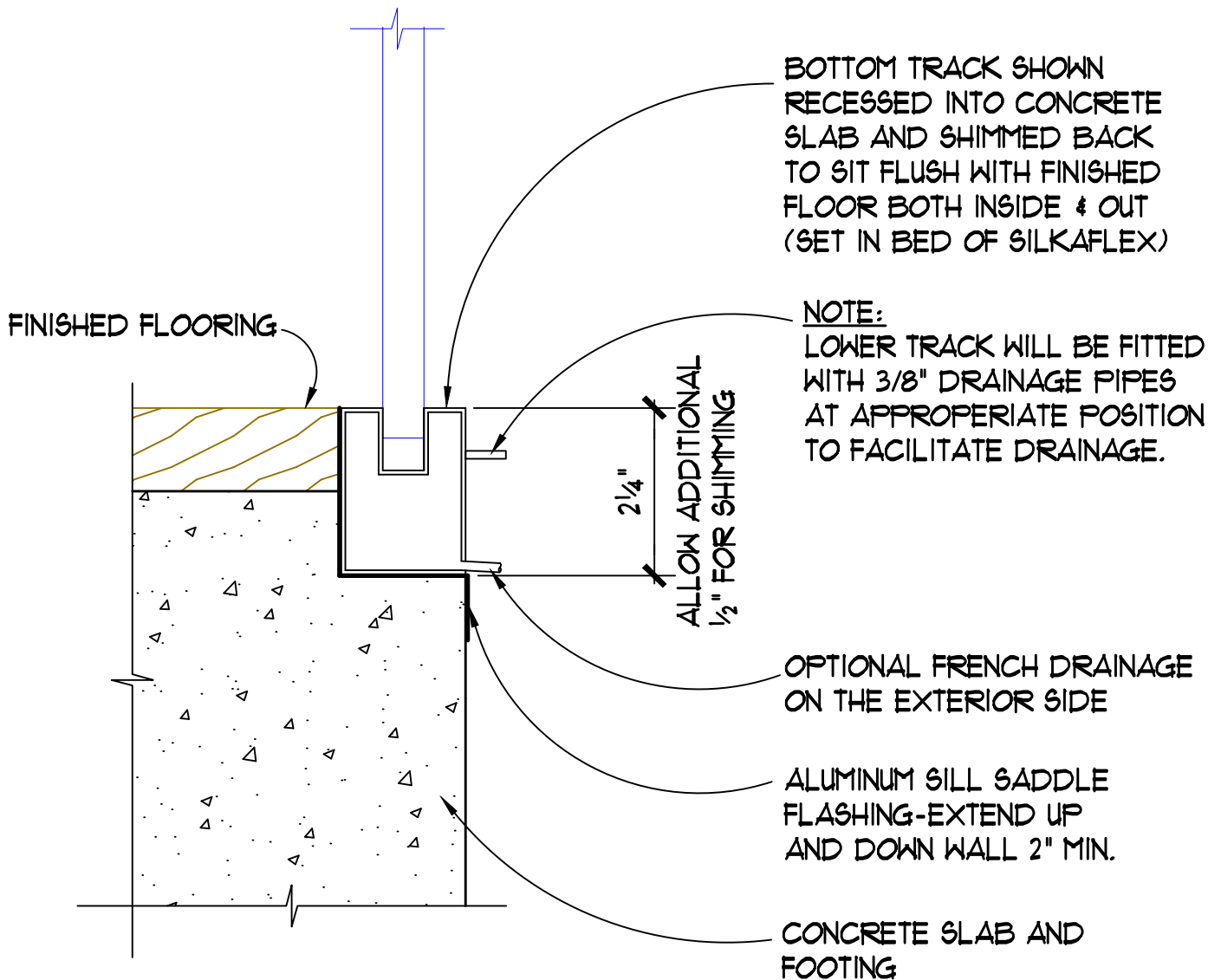


SIDE VIEW OF JAMS AT EITHER  
END OF OPENING

# COVER GLASS USA

(T) 800-317-2984 . (F) 619-275-7848

WWW.COVERGLASSUSA.COM

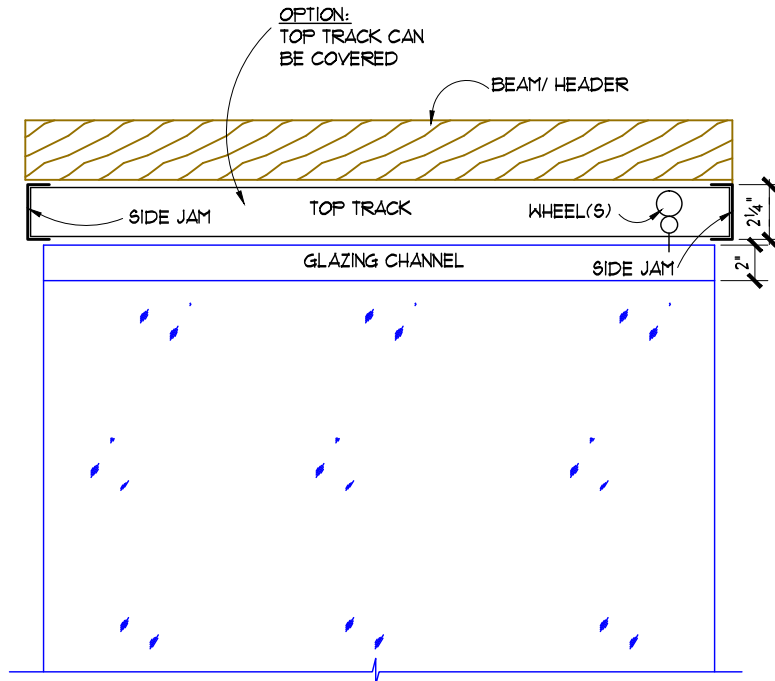


## OPTION FOR DRAINAGE OF LOWER TRACK

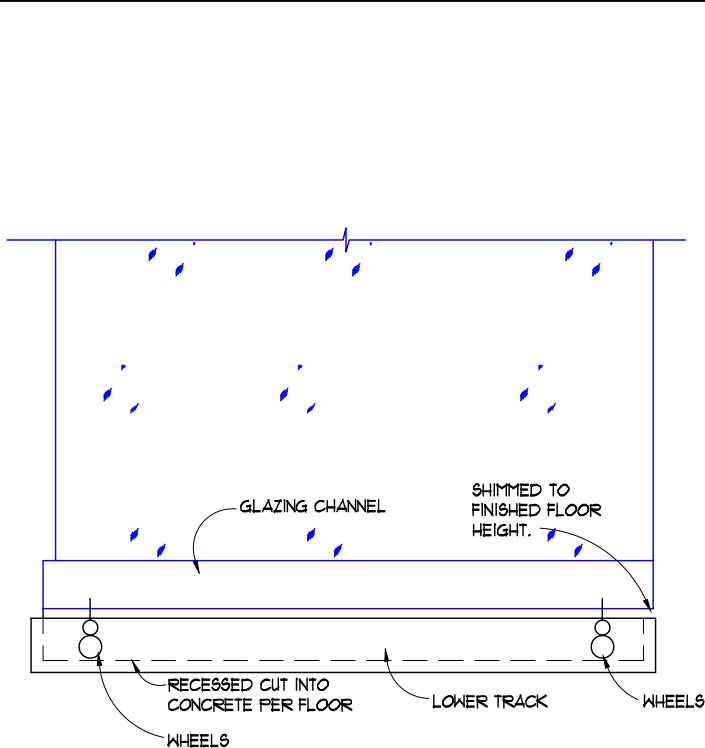
# COVER GLASS USA

(T) 800-317-2984 . (F) 619-275-7848

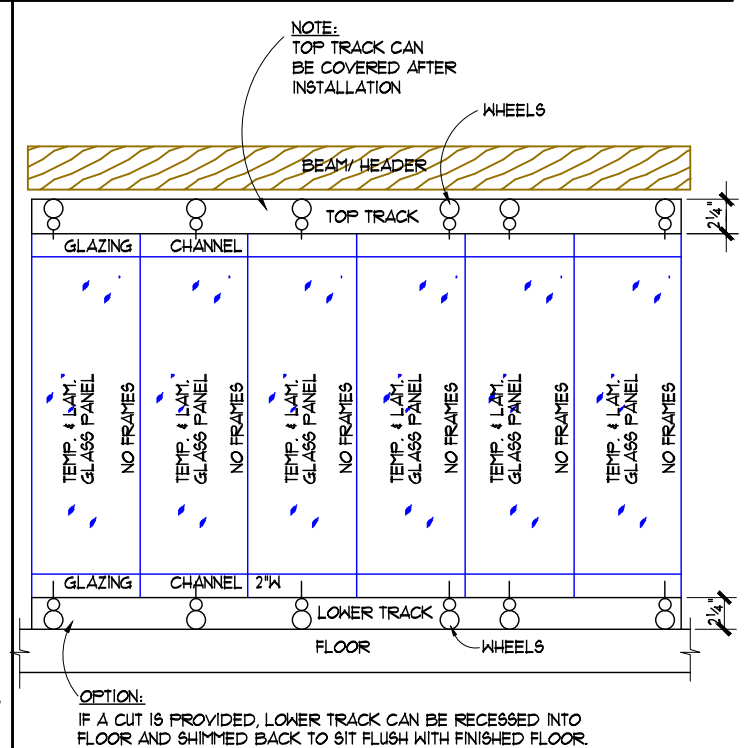
WWW.COVERGLASSUSA.COM



GLASS PANEL TOP HEADER ATTACHMENT  
WEDGED INTO GLAZING CHANNEL



GLASS PANEL WEDGED INTO GLAZING CHANNEL  
BOTTOM TRACK RECESSED AND SHIMMED BACK TO INSIDE FINISHED  
FLOOR HEIGHT. CAN BE COMPLETELY FLUSH WITH FINISH FLOOR BOTH  
INSIDE AND OUT.

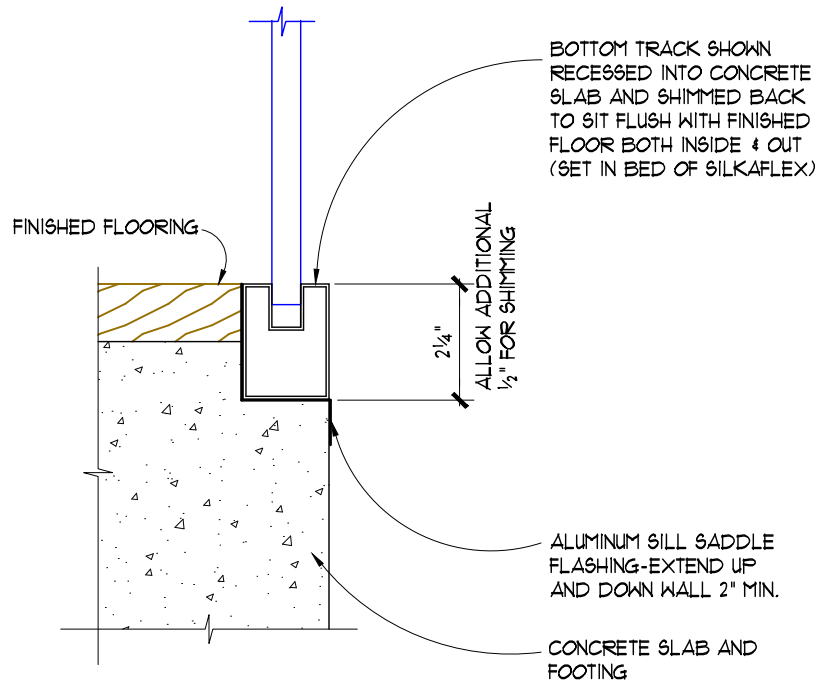


FRAMELESS SLIDING DOORS OVERVIEW

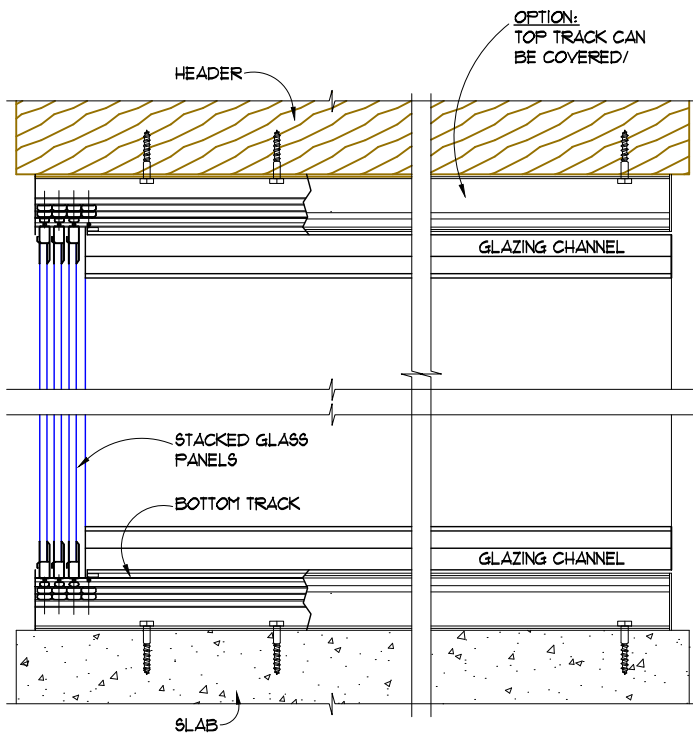
# COVER GLASS USA

(T) 800-317-2984 . (F) 619-275-7848

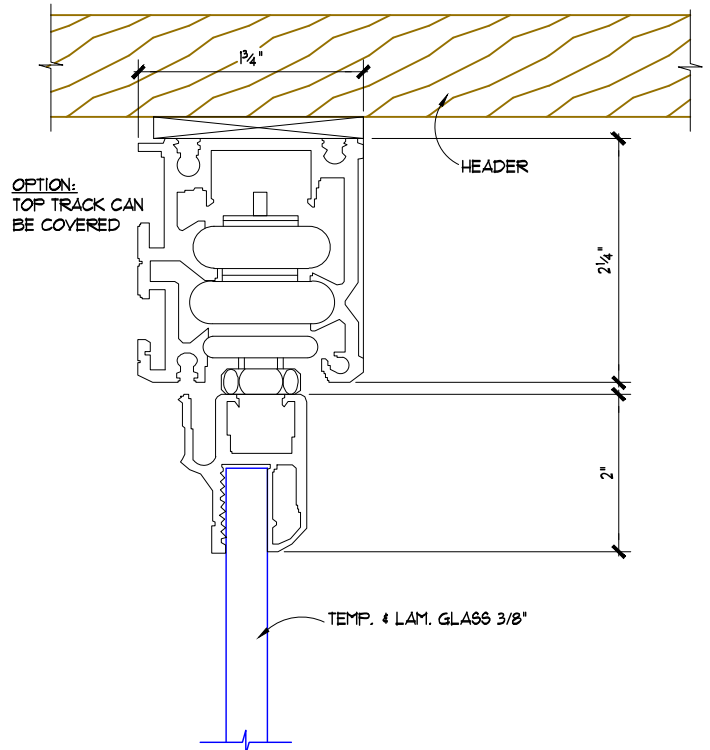
WWW.COVERGLASSUSA.COM



## RECESSING OF BOTTOM TRACK



FRONT VIEW - GLASS PANEL STACK  
(TAKING UP 1" PER PANEL)

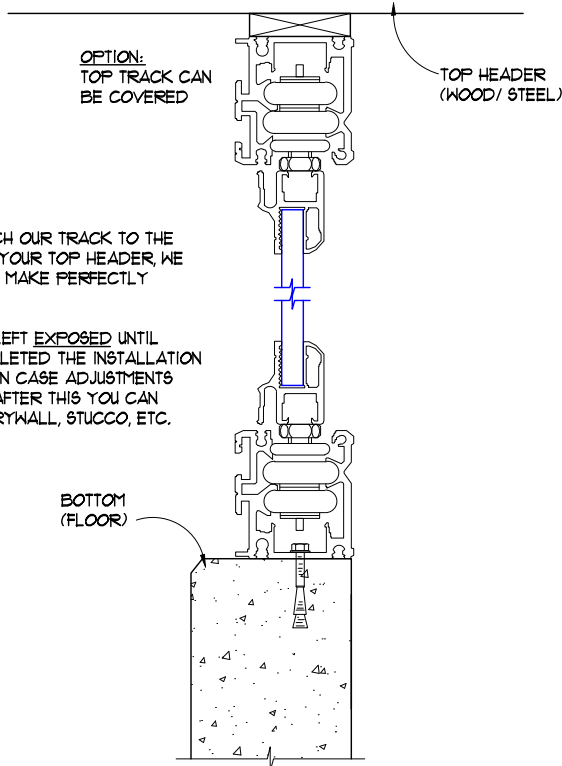
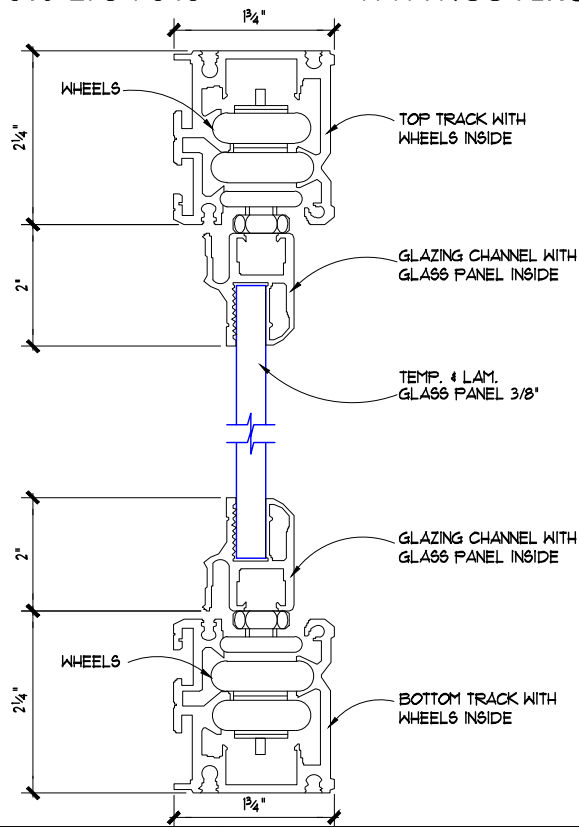


SIDE VIEW OF TRACK WITH GLASS ATTACHED TO HEADER

# COVER GLASS USA

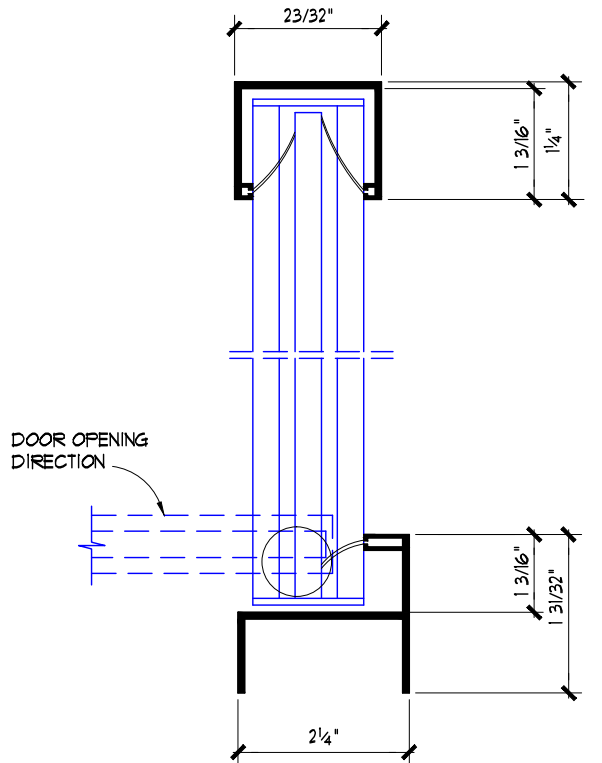
(T) 800-317-2984 . (F) 619-275-7848

WWW.COVERGLASSUSA.COM



**NOTES:**

1. WHEN WE ATTACH OUR TRACK TO THE UNDERSIDE OF YOUR TOP HEADER, WE WILL SHIM IT TO MAKE PERFECTLY BALANCED.
2. THIS MUST BE LEFT EXPOSED UNTIL WE HAVE COMPLETED THE INSTALLATION OF THE GLASS IN CASE ADJUSTMENTS ARE NEEDED. AFTER THIS YOU CAN COVER WITH DRYWALL, STUCCO, ETC.

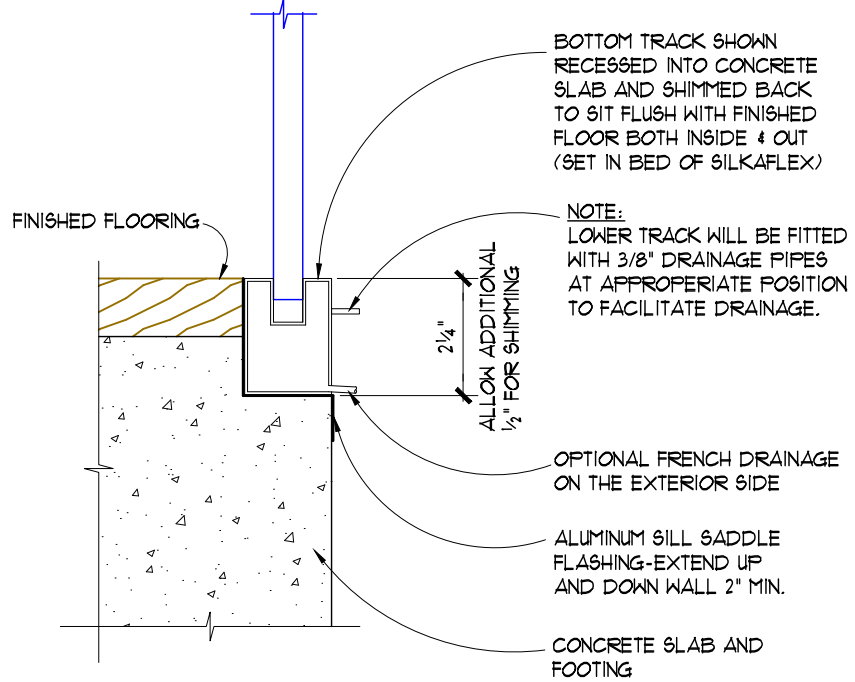


SIDE VIEW OF JAMBS AT EITHER END OF OPENING

# COVER GLASS USA

(T) 800-317-2984 . (F) 619-275-7848

WWW.COVERGLASSUSA.COM

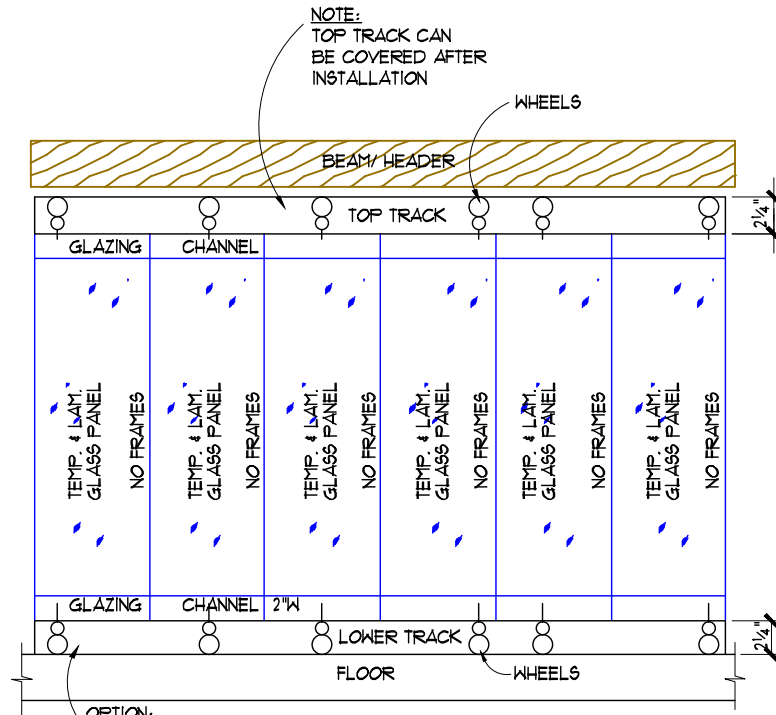


## OPTION FOR DRAINAGE OF LOWER TRACK

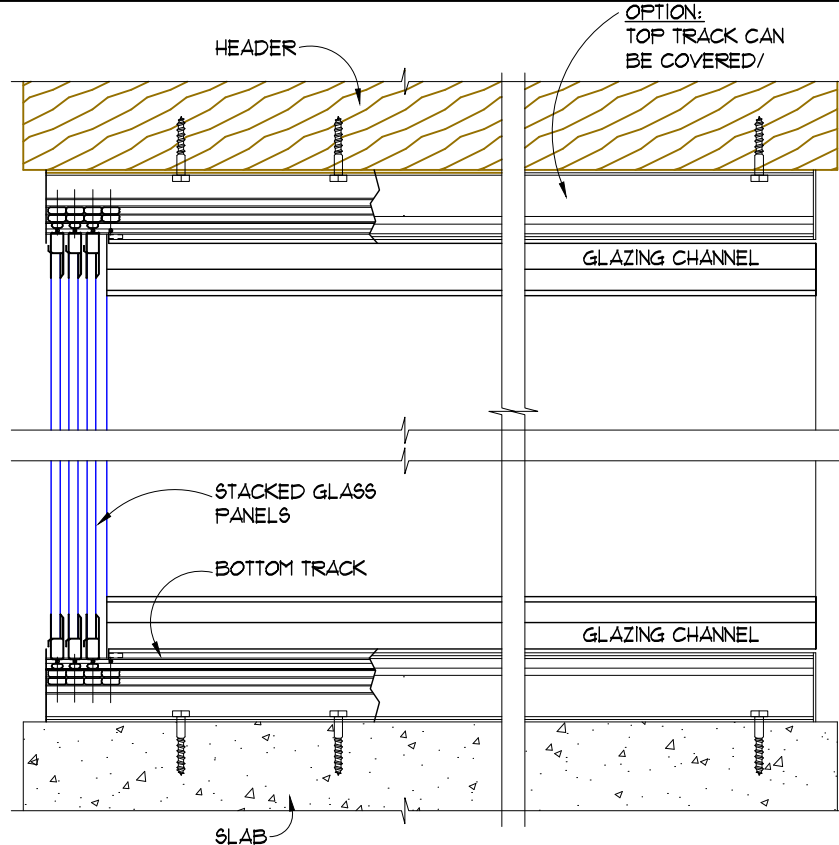
# COVER GLASS USA

(T) 800-317-2984 . (F) 619-275-7848

WWW.COVERGLASSUSA.COM



## FRAMELESS SLIDING DOORS OVERVIEW

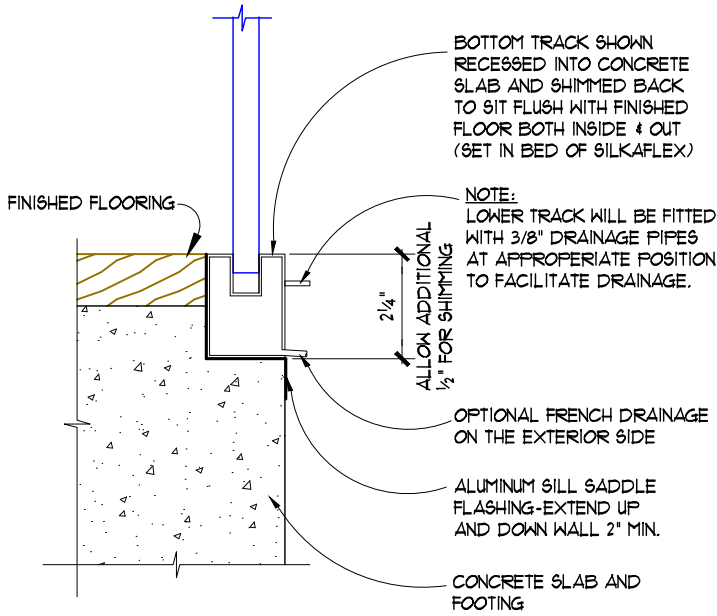


FRONT VIEW - GLASS PANEL STACK  
(TAKING UP 1" PER PANEL)

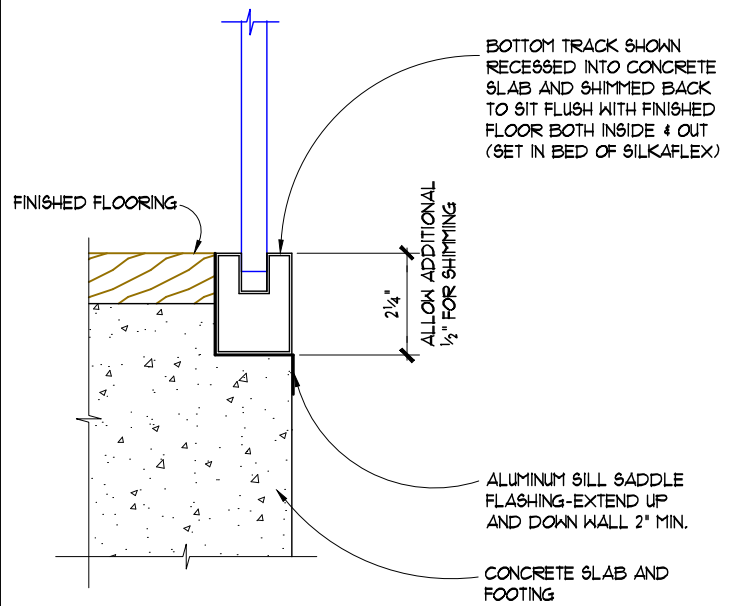
# COVER GLASS USA

(T) 800-317-2984 . (F) 619-275-7848

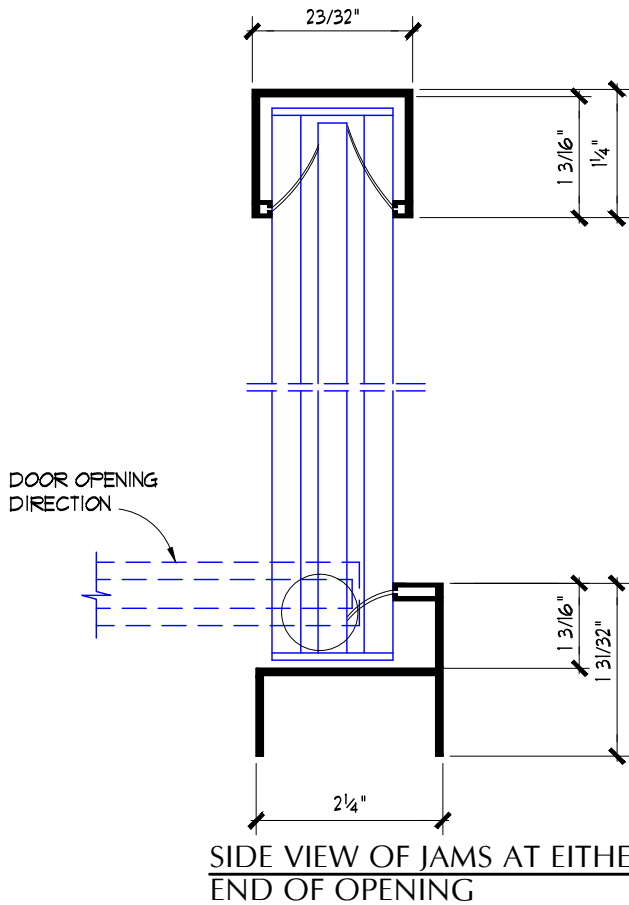
WWW.COVERGLASSUSA.COM



OPTION FOR DRAINAGE OF LOWER TRACK



RECESSING OF BOTTOM TRACK



SIDE VIEW OF JAMBS AT EITHER END OF OPENING

STRAIGHT

90°

45°

120°

150°

160°

170°

ANGLES WE ARE CAPABLE OF SEALING